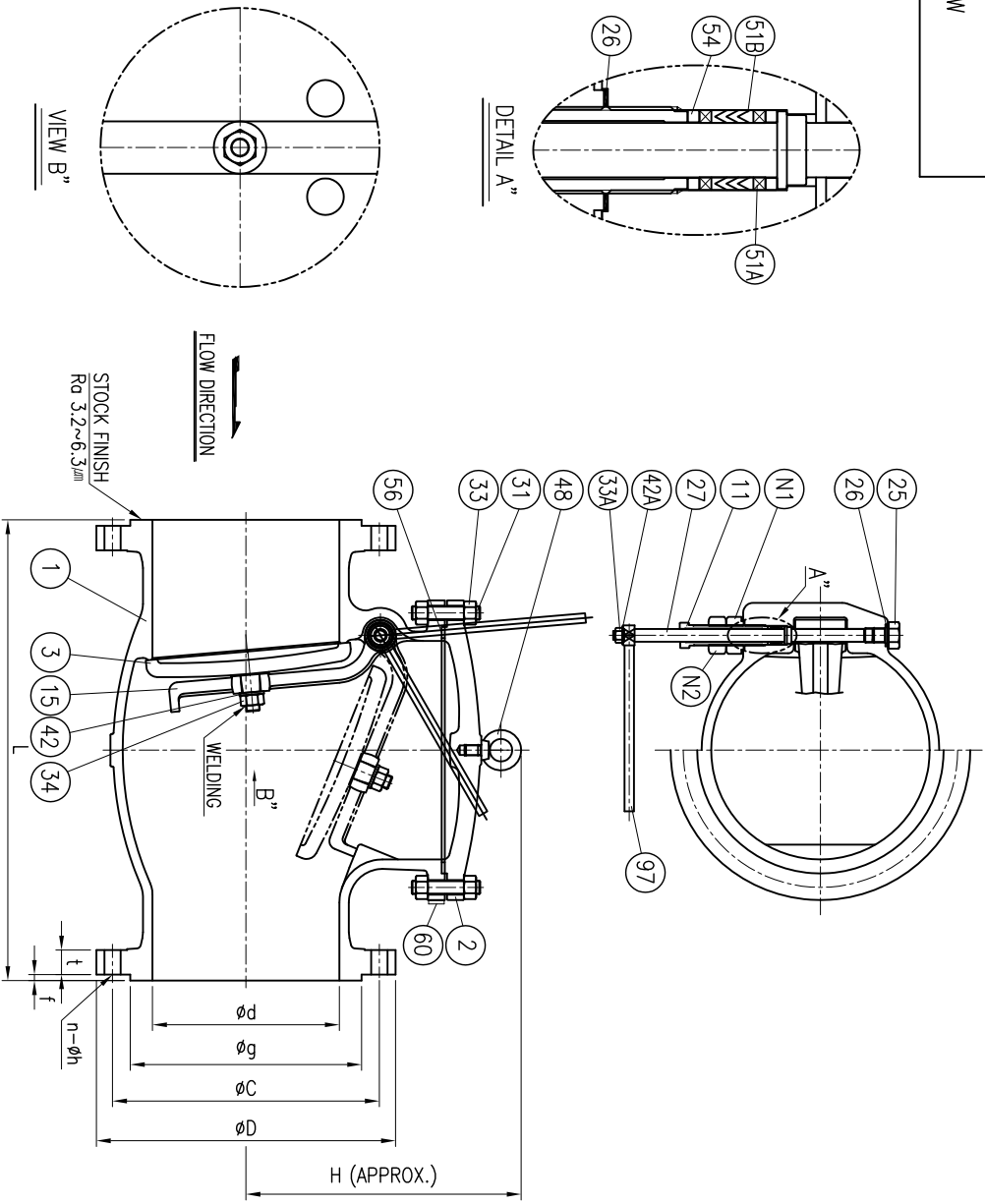


제품 NO. SWCHH1CW



[Unit : mm]

SIZE (A)	BORE	FACE TO FACE	FLANGE DIMENSION								CENTER TO TOP
			d	L	D	C	g	f	t	n	
50	50	203	155	120	96	2	16	4	19	150	
80	80	241	185	150	126	2	18	8	19	160	
100	100	292	210	175	151	2	18	8	19	170	
150	150	356	280	240	212	2	22	8	23	250	
200	200	495	330	290	262	2	22	12	23	360	
250	250	622	400	355	324	2	24	12	25	395	
300	300	698	445	400	368	3	24	16	25	435	
350	336	787	490	445	413	3	26	16	25	470	
400	387	864	560	510	475	3	28	16	27	500	
1400	1365	LATER					LATER			LATER	

BILL OF MATERIAL

NO.	PART NAME	MATERIAL	QTY	REMARK
1	BODY	SCS 13	1	
2	COVER	SCS 13	1	
3	DISC	A351-CF8	1	
11	PACKING GLAND	A479-304	1	
15	ARM	A351-CF8	1	
25	PLUG GASKET	A479-304	1	
26	PLUG GASKET	A479-304	2	
27	ROD PIN	A479-304	1	
31	COVER BOLT	A193-B8 CL2	1SET	
33	COVER NUT	A194-8	1SET	
33A	ROD PIN NUT	A194-8	1	
34	NUT	A194-8	1	
42	PLAIN WASHER	A240-304	1	
42A	WASHER	A240-304	1	
48	EYE BOLT	A193-B8	1	200A & LARGER
51A	BRANDED PACKING	GRAPHITE	1SET	P#6710 or EQ
51B	CHEVRON PACKING	R.FEPIFFE + GRAPHITE	1SET	
54	PACKING RING	A479-304	1	
56	SPRUE WOUND GASKET	GRAPHITE + 304 S.S	1	P#2801-EO or EQ
60	NAME PLATE	A240-304	1	
97	LEVER	304 S.S	1	
N1	GLAND NUT	A479-304	1	
N2	NUT	A194-8	1	

NOTE
1. DESIGN ARE CAN BE CHANGED.

REL	DATE	DESCRIPTION	PREPARED	CHECKED	REVIEWED	APPROVED
△	01/03/19'	FOR REFERENCE	S.K. OHN	C.B. KW		C.B. KW

APPLICABLE CODE

BASIC DESIGN : -

FACE TO FACE DIMENSION : KS B 2306

FLANGED DIMENSION : KS B 1511

PRESSURE TEST : KS B 2304

HYDRAULIC TEST : SHELL : 21.0 bar
BACK SEAT : N / A
PRESSURE : SEAT : 15.4 bar

AIR TEST PRESSURE : SEAT : N / A

TITLE : KS 10K STAINLESS STEEL SWING CHECK VALVE
BOLTED COVER, RF FLANGED

DWG No. : 3HS1315BR-N-1002-CW

SHEET NO. : 2

